



500 V HOPPER Abrasive Delivery System

Continuous Level Monitoring for an Efficient Production Process

Abrasive Flow Monitoring Saves Time and Costs

Our 500 V HOPPER precisely monitors the availability of sufficient abrasive closely during the entire cutting process and pneumatically transfers it to the onboard metering device. This protects your valuable material from damage and saves unnecessary costs and time. Its concept assures process stability, security and a very high degree of reliability.

Abrasive Low Level Sensor

The 500 V HOPPER provides all features to stabilize the cutting process when connected to a centralized control system. The abrasive delivery system features a normally closed proximity switch sensor which indicates when the abrasive content reaches a low level. This feature provides the capability to integrate the signal into the waterjet system controller and notifies the operator when it's time to refill the abrasive.

When used in one or multiple shift operation of automated

cutting systems, the 500 V HOPPER contributes to the economical use of the entire waterjet cutting system.

Features

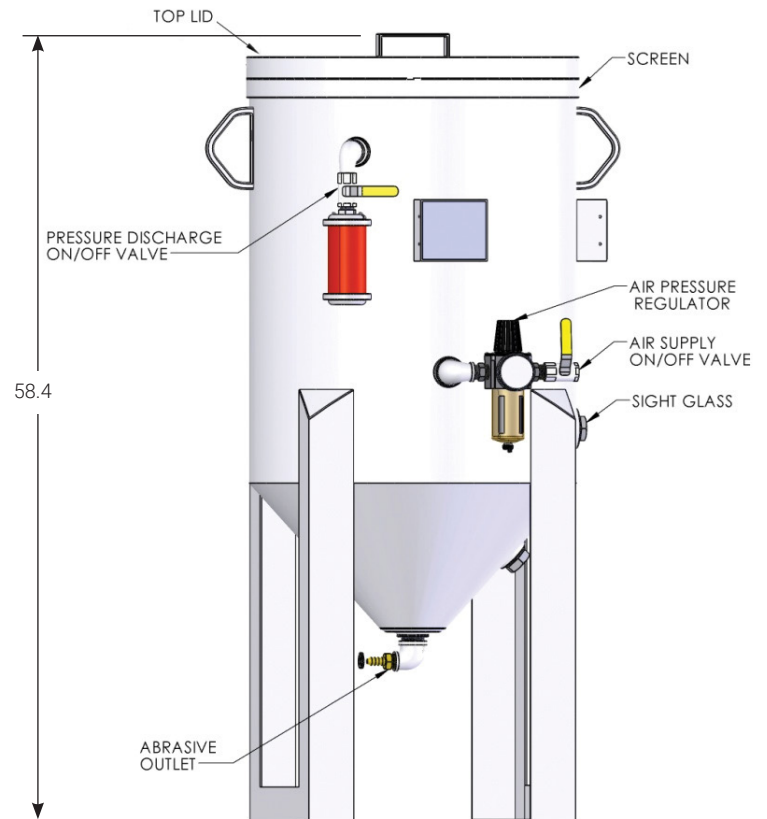
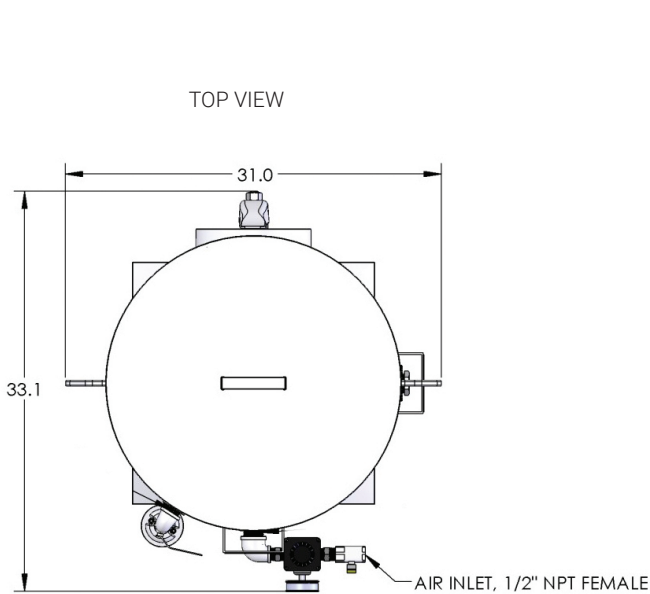
- **Screened loading area allows for individual bags to be loaded thorough the screen on top of the bulk hopper.**
- **Storage tank holds up to 600 pounds of abrasive.**
- **Low abrasive level sensor---prevents running out of abrasive while cutting.**
- **Air regulator and 2 way valve controls the pressure and on/off capabilities.**

Reliability & low maintenance at a low cost!



SPECIFICATIONS

Height	58.4 in (148.3cm)
Width	31.0 in (78.7cm)
Length	33.1 in (84.1 cm)
Weight (Dry)	320 lbs (145.1 kg)
Hopper Capacity	6.5 ft ³ (0.18 m ³)
Recommended Air Supply	60-80 psi (4.1-5.5bar)
Air Flow Requirement (Startup)	10 ft ³ /min (.28 m ³ /min)
Air Flow Requirement (Operating)	1.0 ft ³ /min (.028m ³ /min)
Air Inlet	½" NPT Female
Abrasive Outlet	½" Barb Fitting



KMT
WATERJET
 SHAPE TECHNOLOGIES GROUP®



The Right Pump Matters!

KMT Waterjet Systems Inc.
 635 West 12th Street
 Baxter Springs, KS 66713 USA
 620-856-2151 • 800-826-9274
 Fax: 620-856-5050
 sales@kmtwaterjet.com

kmtwaterjet.com



Release 07/2023